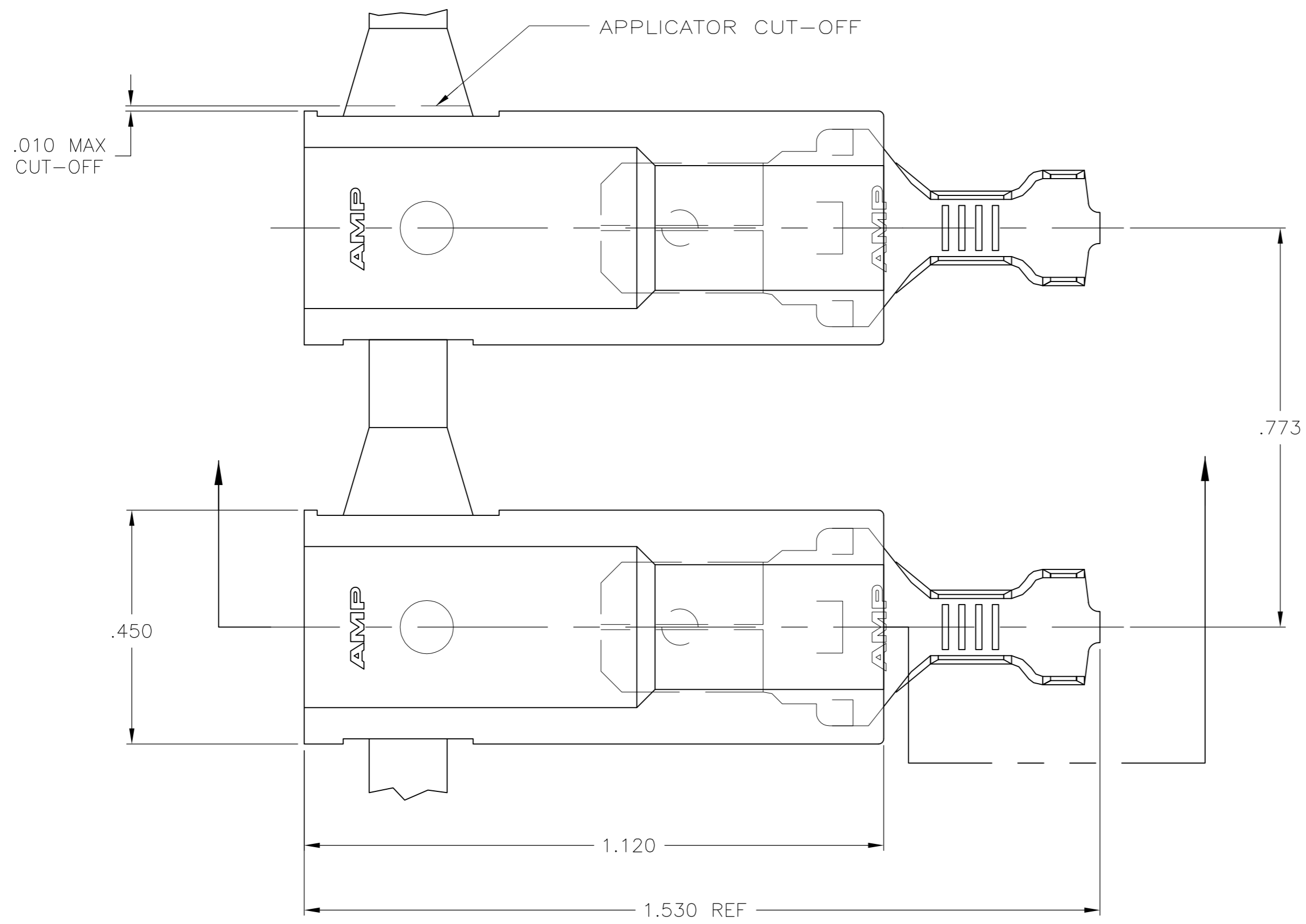
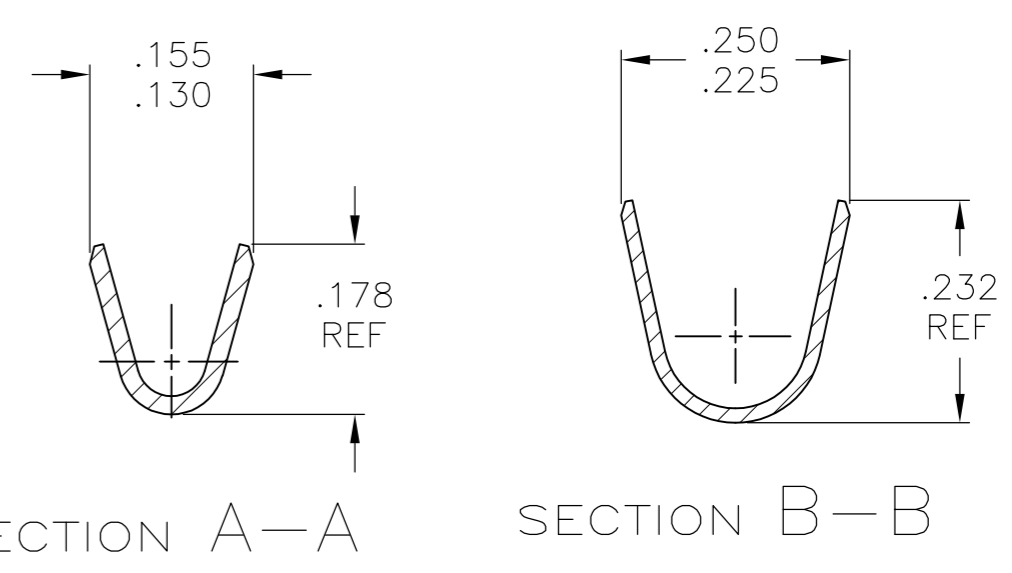
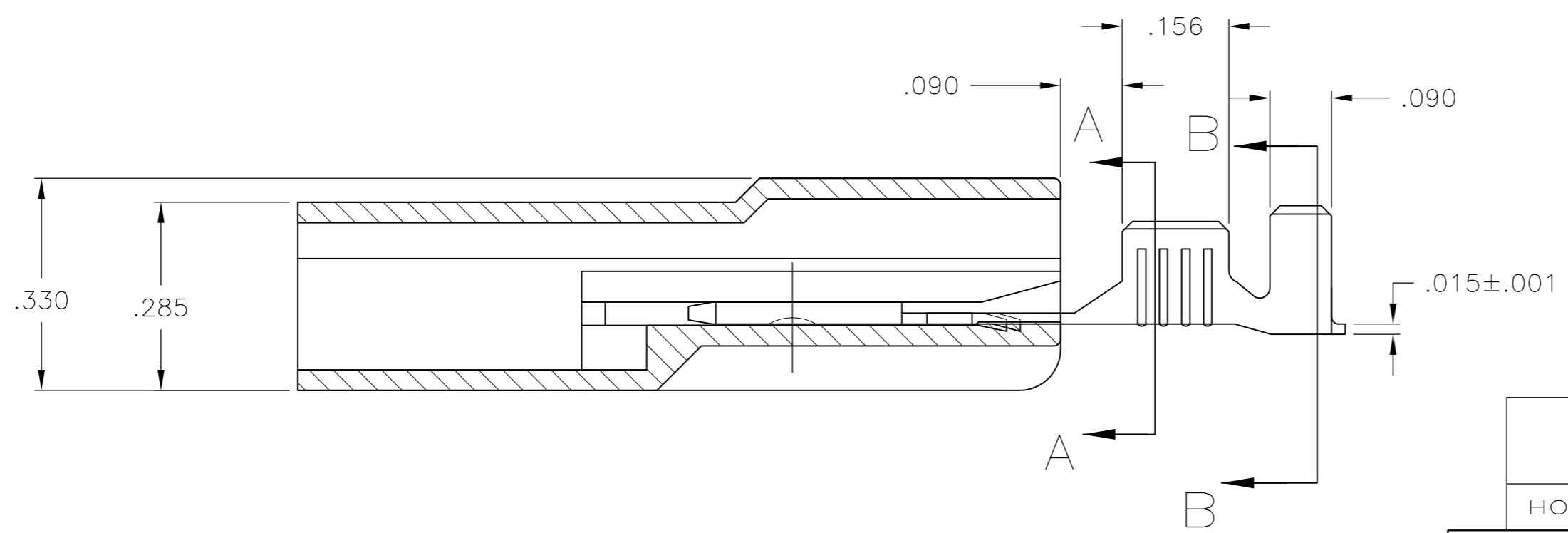


THIS DRAWING IS UNPUBLISHED. RELEASED FOR PUBLICATION  
 © COPYRIGHT - By - ALL RIGHTS RESERVED.

| LOC | DIST | REVISIONS   |                       |         |       |
|-----|------|-------------|-----------------------|---------|-------|
| P   | LTR  | DESCRIPTION | DATE                  | DWN     | APVD  |
| AF  | 50   | B2          | REL PER ECO 12-013167 | 18JUL12 | JR PD |



- 1 FASTON TAB BASE #1742150, ARE USED IN THIS PRODUCT.
- 2 WIRE SIZE IS #18-#14 AWG.
- 3 INSULATION RANGE IS .130-.180 DIA
- 4 MATES WITH A .250 X .032 RECEPTACLE



|                    |                             |          |
|--------------------|-----------------------------|----------|
| 6/6 NYLON, NATURAL | 082 BRASS , TIN PLATE       | 521747-2 |
|                    | 082 BRASS , PLAIN           | 521747-1 |
| HOUSING: MATERIAL  | TERMINAL: MATERIAL & FINISH | PART NO. |

|  |                  |                           |  |                 |
|--|------------------|---------------------------|--|-----------------|
| THIS DRAWING IS A CONTROLLED DOCUMENT. |                  | DWN JR RUTH 07JUL04       | <b>TE</b> TE Connectivity                  |                 |
| DIMENSIONS: INCHES                     |                  | CHK FRISTY YI 07JUL04     |  |                 |
| TOLERANCES UNLESS OTHERWISE SPECIFIED: |                  | APVD KRISTY YI 07JUL04    | NAME ASSEMBLY, TAB, ULTRA-POD, .250 SERIES |                 |
| 0 PLC ± -                              | 1 PLC ± -        | PRODUCT SPEC 108-1285     | SIZE A2                                    | CAGE CODE 00779 |
| 2 PLC ± .010                           | 3 PLC ± -        | APPLICATION SPEC 114-2124 | DRAWING NO C=521747                        | RESTRICTED TO - |
| 4 PLC ± -                              | ANGLES ± -       | WEIGHT -                  | SCALE 5:1                                  | SHEET 1 of 1    |
| MATERIAL SEE TABLE                     | FINISH SEE TABLE | CUSTOMER DRAWING          | REV B2                                     |                 |